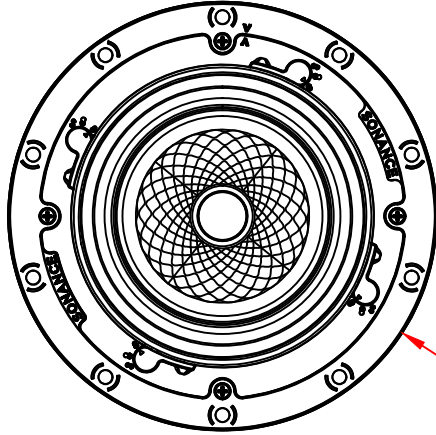
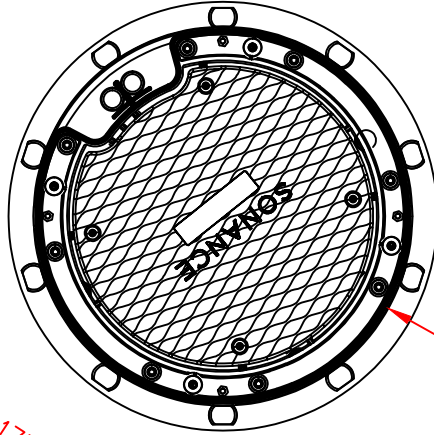


FRONT



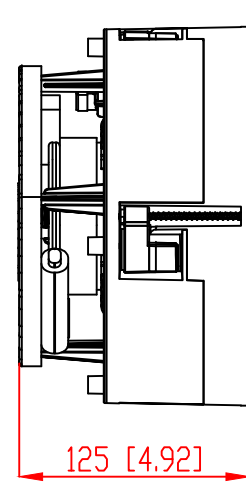
$\phi 232.8$  [ $\phi 9.17$ ]

BACK / MINIMUM CUTOUT



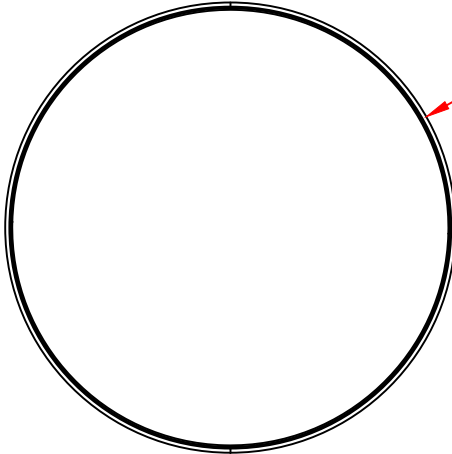
$\phi 205.7$  [ $\phi 8.10$ ]

MOUNTING DEPTH



125 [4.92]

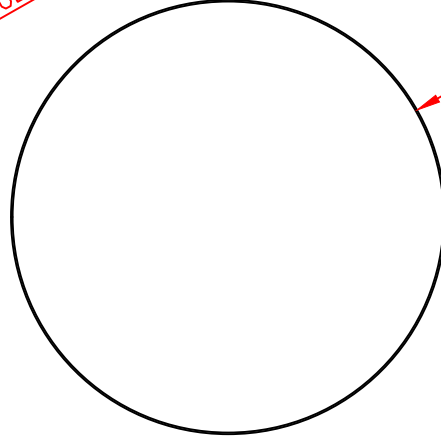
MICRO TRIM GRILLE



$\phi 244.4$  [ $\phi 9.62$ ]

4.0 [0.16]

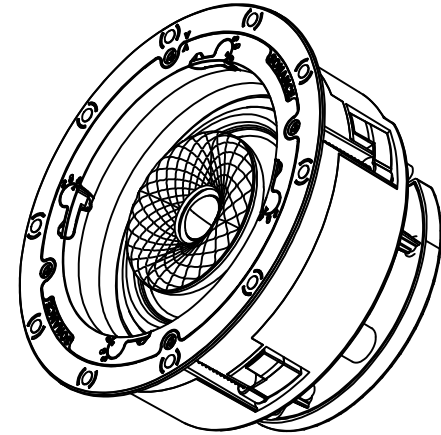
TRIMLESS GRILLE



$\phi 235.6$  [ $\phi 9.28$ ]

3.6 [0.14]

ISOMETRIC



991 Calle Amanecer  
San Clemente, California 92673 USA  
949-492-7777  
www.sonance.com

**SONANCE**

VX64R SPEAKER

SCALE: 1 : 1  
SHEET: 01

DRAWN BY: Roy

REV.

RELEASED DIM.

DRAWN - PART NUMBER